

ACT2000 linear actuator

5002600

Six inch all-electric linear actuator. Monitor and program using ACTWiz software.



Key features

- Gas turbine IGV control applications.
- On-board electronic controller.
- Programmable linear or non-linear stroke calibration for multiple applications.
- Configuration software provided.
- Dynamic response with minimal overshoot and minimal settling time.
- Wide operating temperature range.
- Certified for hazardous area environments.
- US patent no 6,392,32.

Meggitt's ACT2000 and its family of all-electric linear-actuated products are replacements for older pneumatic and hydraulic technologies. Designed for high-temperature hazardous environments, the ACT2000 and all Meggitt actuators employ patented design features including an explosion-proof, on-board electronic controller ensuring safe operation in the most demanding conditions. The ACT2000 is not sensitive to mounting orientation, and can be aligned in any position. This creates a flexible and cost-effective solution in a variety of applications such as guide vanes and bleed valves on turbine engines, and steam valves in the process industry.

Specifications

Function	All-electric modulating linear actuator
Application	IGV gas turbine control
Physical size	5.2" wide, 16.7" high
Weight	35 lbs
Ambient temperature	-40°F to 200°F
Control/feedback interfaces	4 to 20 ma
Logic I/O Interfaces	24 VDC
Electrical	
Input voltage	120 VDC nominal
Current	1 A typical, 20 A max
Performance	
Operating speed	8 inches per second (ma)
Force	500 lbf continuous 1267 lbf max peak force
Stroke	5.9 inches max
Certifications	CSA, CE, ATEX

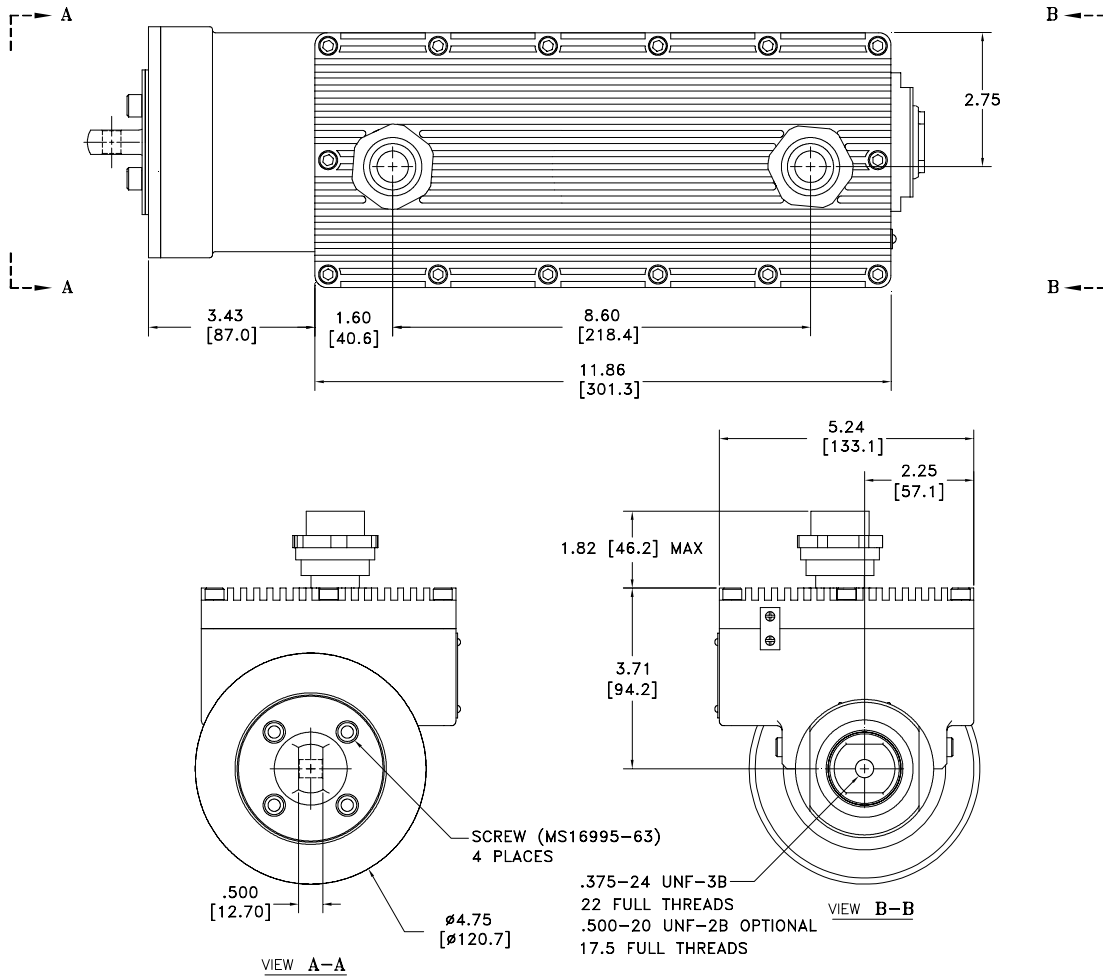
Meggitt Control Systems

Our product competencies and services:
Aerospace valves | Thermal management solutions | Electromechanical products | Ducting | Ground fuelling products | **Industrial controls**
Aftermarket services | Safety systems

MEGGITT
smart engineering for
extreme environments

ACT2000 linear actuator

5002600



Contact

Meggitt Control Systems
12838 Saticoy Street
North Hollywood CA 91605
USA
Tel: +1 818 765 8160
Fax: +1 818 759 2194

Meggitt Control Systems
11661 Sorrento Valley Road
San Diego CA 92121
USA
Tel: +1 858 792 3261
Fax: +1 858 792 3200

www.meggitt.com

Meggitt Control Systems

Our product competencies and services:
Aerospace valves | Thermal management solutions | Electromechanical products | Ducting | Ground fuelling products | Industrial controls
Aftermarket services | Safety systems

MEGGITT
smart engineering for
extreme environments