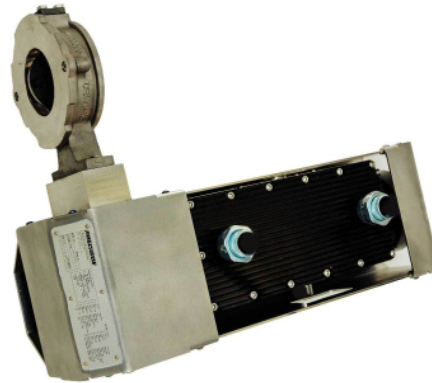


AVB3.0 butterfly bleed air valve

5002892

Three inch all-electric linear actuated butterfly bleed air valve.
Multiple valve configurations



Key features

- Multiple gas turbine applications.
- Speed and accuracy to keep pace with today's turbine emission requirements.
- Programmable calibration for a variety of applications.
- Configuration software provided.
- Certified for hazardous area environments.
- Wide operating temperature range.
- Up to 850°F gas temperature.

The AVB3.0 all-electric bleed air valve controls high-temperature air maintaining a precise fuel-to-air ratio within the turbine, facilitating optimal engine efficiency and meeting today's stringent emission requirements. Each valve incorporates a fail-safe spring configurable to fail open or fail close, depending upon the desired action. The AVB3.0 actuation mechanism has a unique torque shaft design, eliminating actuator side loading.

Specifications

Function	All-electric linear actuated modulating butterfly bleed valve
Application	Multiple gas turbine applications
Physical size	15.9" width, 22.9" high
Weight	75 lbs
Flange type	ANSI Class 300 lb flange
Line pressure	450 psig max
Bleed air temperature	-40° F to +850°F (1150°F gas optional)
Ambient temperature	-40°F to 200°F
Control/feedback interfaces	4 to 20 ma
Logic I/O Interfaces	24 VDC
Performance	
Flow	CV= 245
Operating time	<500 msec full stroke response (opening or closing)
Electrical	
Input voltage	120 VDC nominal
Current	<1 A typical, 20 A max
Certifications	CSA, CE, ATEX

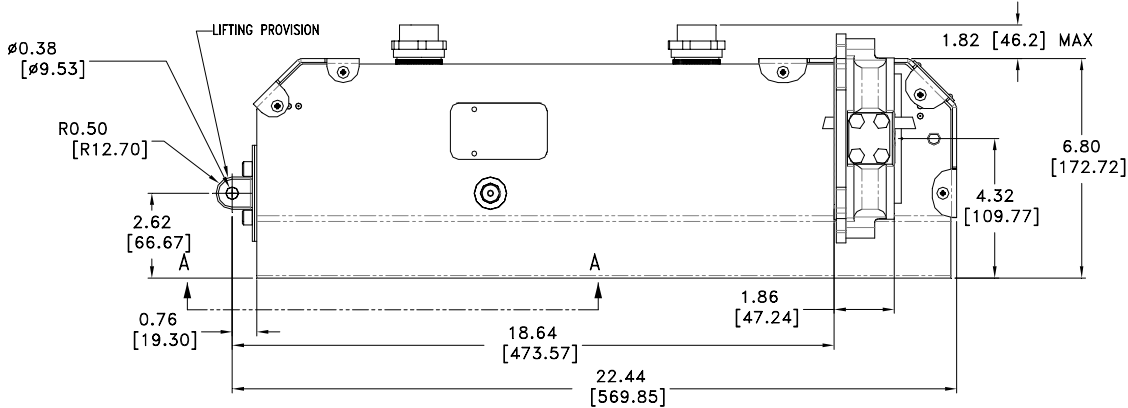
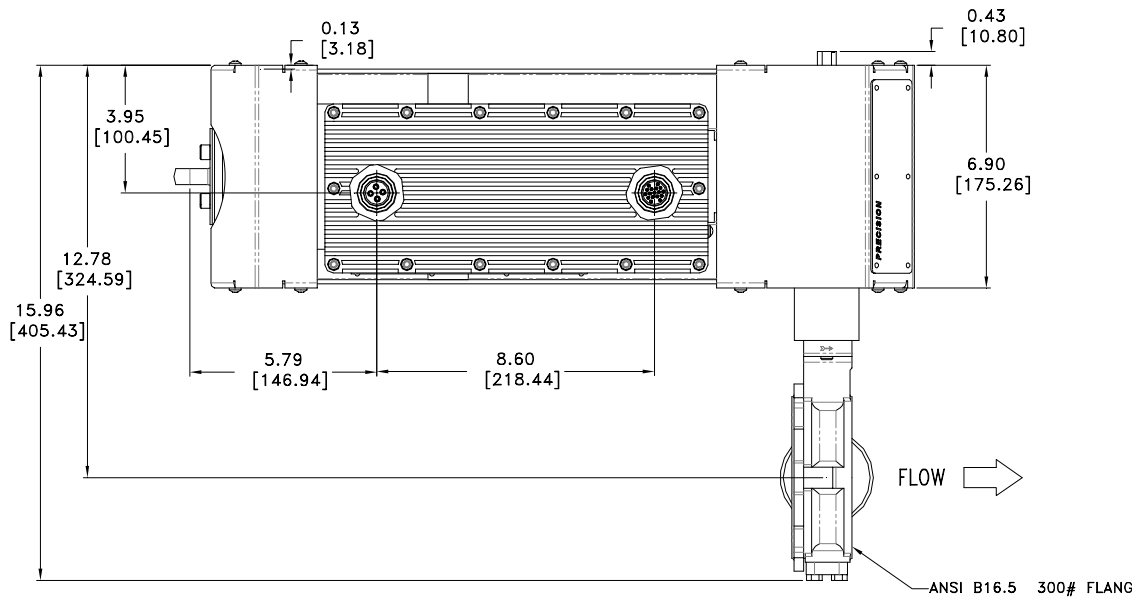
Meggitt Control Systems

Our product competencies and services:
Aerospace valves | Thermal management solutions | Electromechanical products | Ducting | Ground fuelling products | Industrial controls
Aftermarket services | Safety systems

MEGGITT
smart engineering for
extreme environments

AVB3.0 butterfly bleed air valve

5002892



Contact

Meggitt Control Systems
12838 Saticoy Street
North Hollywood CA 91605
USA
Tel: +1 818 765 8160
Fax: +1 818 759 2194

Meggitt Control Systems
11661 Sorrento Valley Road
San Diego CA 92121
USA
Tel: +1 858 792 3261
Fax: +1 858 792 3200

www.meggitt.com

Meggitt Control Systems

Our product competencies and services:
Aerospace valves | Thermal management solutions | Electromechanical products | Ducting | Ground fuelling products | Industrial controls
Aftermarket services | Safety systems

MEGGITT
smart engineering for
extreme environments